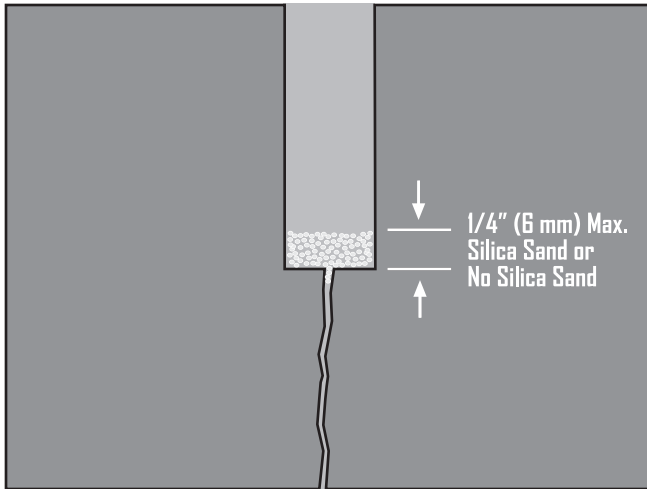


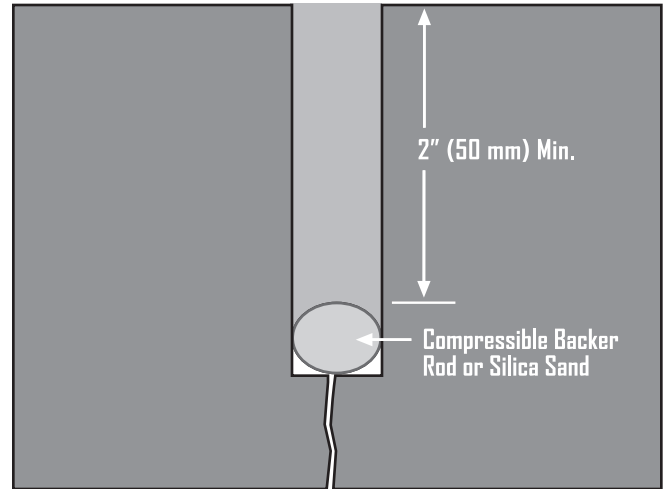
Standard Floor Joint Filling Details

The following details comply with both American Concrete Institute (ACI) and Portland Cement Association (PCA) guidelines for the installation of a semi-rigid epoxy or polyurea floor joint filler.

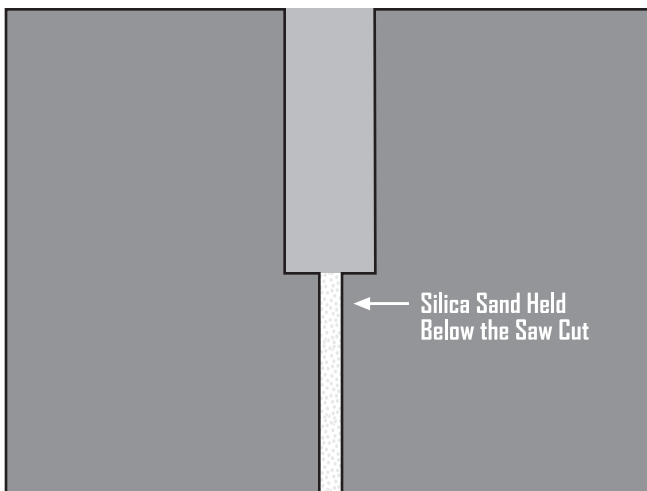
Saw Cut Joint Less Than 2" (50 mm) Deep



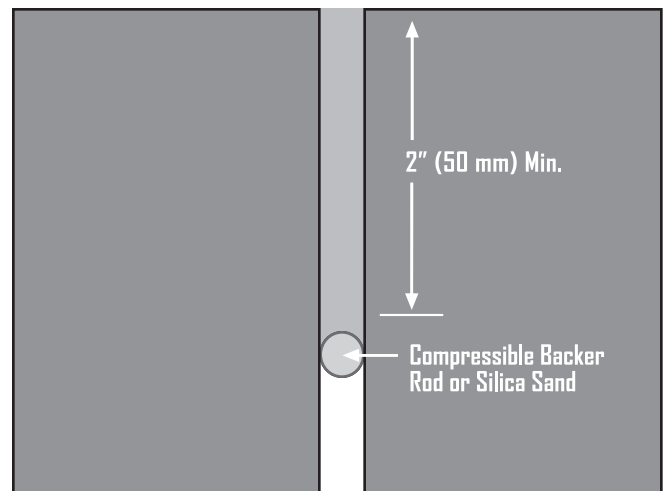
Saw Cut Joint More Than 2" (50 mm) Deep



Saw Cut Construction Joint



Construction Joint Not Saw Cut



Note: Some installers may propose filling procedures that differ slightly from the above details. See *Technical Bulletin T16* for additional procedures that are acceptable to Metzger/McGuire.